

Welded pipe holders

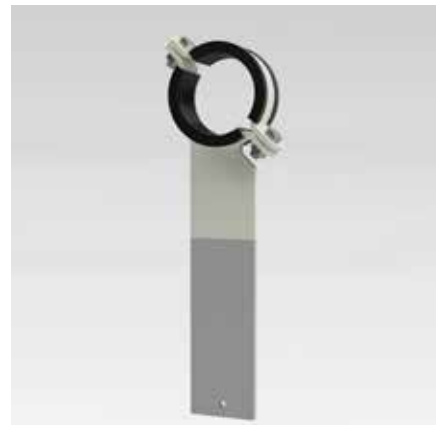
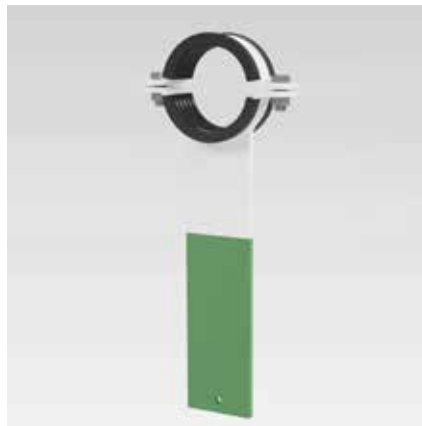
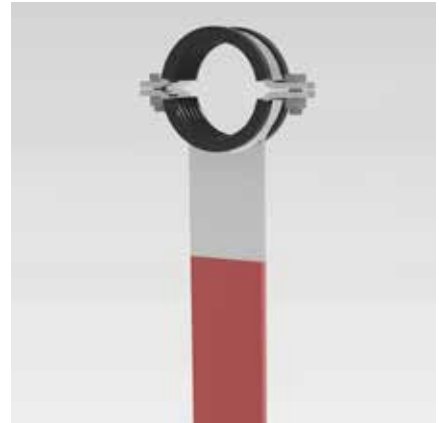
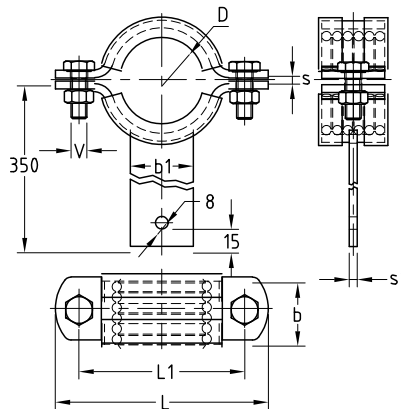
version project-related


Field of application

- Pipe holder for steel and non-ferrous pipes, for welding to the ship's structure or the welded system substructure

Advantages

- Pipe holder suitable for the increased requirements on naval ships
- Material S355 J2
- DÄMMGULAST® Vibration control lining black, average sound level improvement up to 18 dB(A) or PUS-ISO insulating insert RG 250, can be processed on the pipe side without sealants
- Pipe clamp and part of the bridge hot-dip galvanised, the rest of the bridge primed
- Locking screws in V4A
- Coating structure according to color scheme



 Tested by the Defense Technical Service for Ships and Naval Weapons. These pipe holders are made to order.